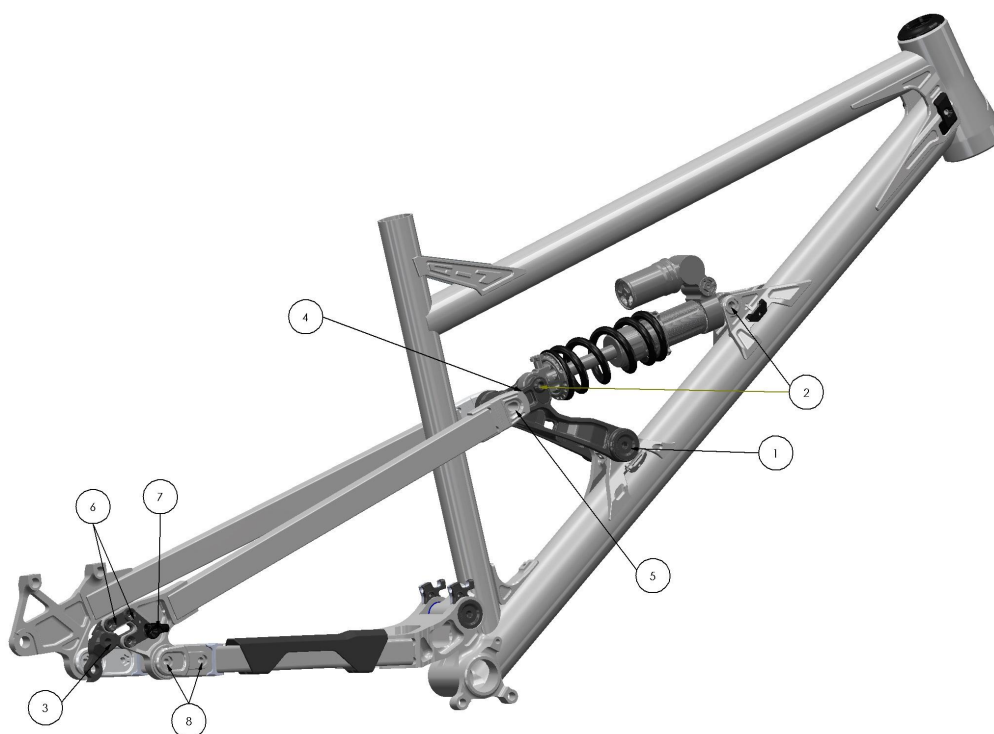


NICOLAI/ GEOMETRON G1 torque table				
Nr.	Part	Bolt dimension in mm	Required torque in Nm	State
1	Bearing cap/ Lagerdeckel	M12, Pitch 1.0	12.5 - 15	Thread lock - medium strength
2	Shock bolts/ Dämpferschrauben	M8x40	16.5 - 17.5	Assembly grease
3	Thru axle/ Steckachse	M12, Pitch 1.75	10 - 12	Assembly grease
4	Seat stay Mutator bolts/ Mutatoren Schrauben - Druckstrebe	M5x40/ M5x45	8 - 8.5	Thread lock - medium strength
5	Seat stay bolt/ Druckstreben Schraube	M5x40	8 - 8.5	Thread lock - medium strength
6	Mech hanger bolt/ RADO Schraube	M5x12	7 - 8	Dry
7	Mech hanger bolt CABLE GUIDE/ RADO Schraube ZUGFÜHRUNG	M5x14	4 - 5	Dry
8	Swingarm Mutator bolt/ Mutatoren Schraube - Schwinge	M6x18	10 - 12	Dry



If you have any further questions please send us an email or give us a call

Geometron Bikes Ltd
 Wyastone Business Park
 Monmouth
 NP25 3SR
 UK

Phone: 0044 (0)1600 887500
 Email: info@geometronbikes.co.uk

08/08/2019 - rev. 1

